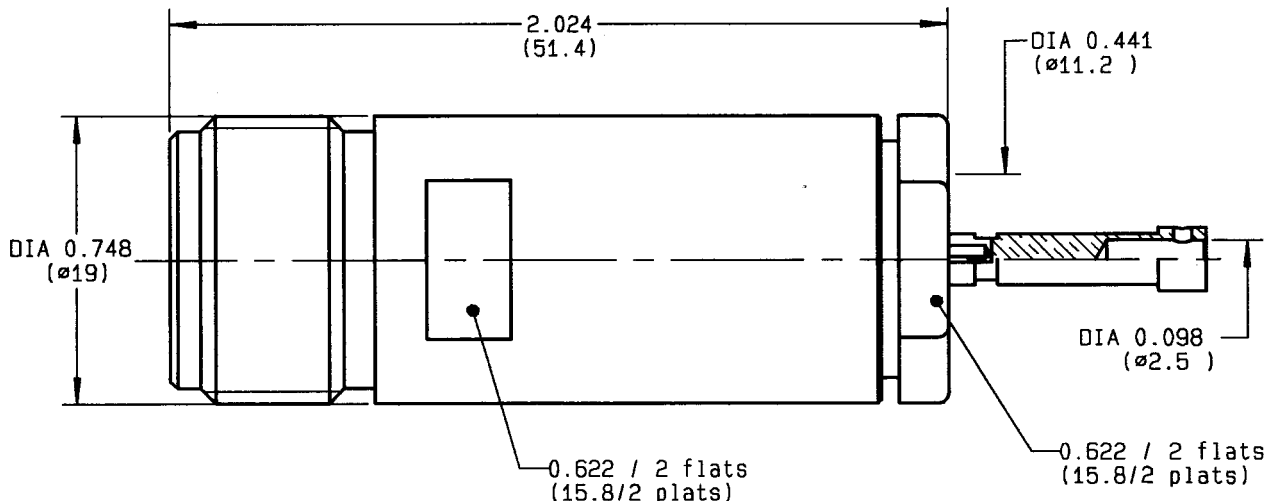


STRAIGHT CABLE JACK-CLAMP TYPE
CABLE 10+11/50



CABLES : -

CHARACTERISTICS

NOMINAL IMPEDANCE	50	Ω
FREQUENCY RANGE	0-2	GHz
TEMPERATURE RATING	-55/+155	°C
VSWR	1.25 +	0 x F(GHz)Maxi
RF INSERTION LOSS	TBD	√F(GHz) dB Maxi
VOLTAGE RATING	1500	Vrms Max
DIELECTRIC WITHSTANDING VOLTAGE	5000	Vrms min
INSULATION RESISTANCE	5000	MΩ min
HERMETIC SEAL	-	cc/s NA Atm.cm3/s
LEAKAGE (pressurized only)	-	psi NA MPa
WEIGHT	2.3571	Oz 66 g

STANDARDISATION

STANDARDISATION	-	-
CABLE RETENTION	67.36	lb min 300 N
CENTER CONTACT RETENTION		
Axial force - mating end	0	lb mi. NA N
Axial force - opposite end	0	lb min NA N
Torque (Min)	0	Inch.oz NA cm.N
RECOMMENDED TORQUES		
Mating	0	inch.lb NA cm.N
Panel nut	0	inch.lb NA cm.N
Clamp nut	70.8	inch.lb 800 cm.N

CONSTRUCTION

CONNECTOR PARTS	MATERIALS	FINISH
BODY	BRASS	NICKEL
OUTER CONTACT	-	-
CENTER CONTACT	BERYLLIUM COPPER	SILVER
INSULATOR	PTFE	-
-	-	-
-	-	-
-	-	-
-	-	-
-	-	-

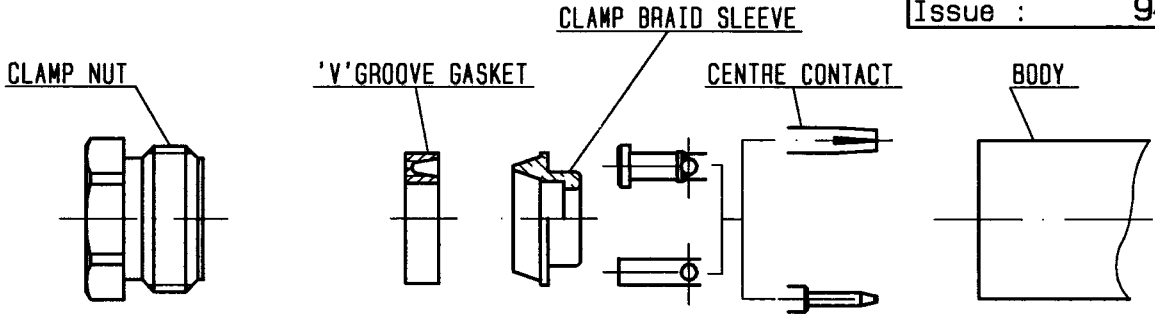
ISSUE	REVISION No	DESCRIPTION	BY	DATE
-	-	-	-	-
-	-	-	-	-
-	-	-	-	-
-	-	-	-	-

Initiated on 19/12/94

The information given here is subject to change without notice. Design changes may be in order to improve the product.

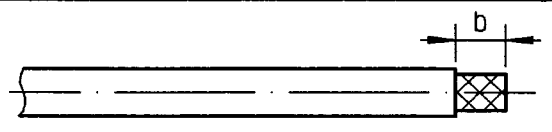
Approval by BAFFERT





①

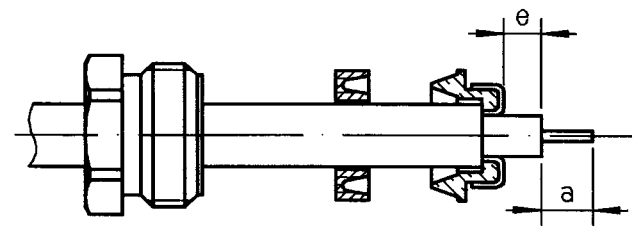
Strip the cable .
-
-
-



Stripping	a	b	c	d	e
inch	0.236	0.453	0	0	0.138
mm	6	11.5	-	-	3.5

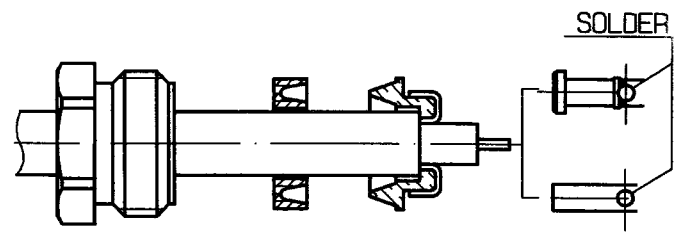
②

Slide the clamp nut and the 'V' groove gasket onto the cable .
Slide clamp braid sleeve over braid .
Fold back braid and trim off surplus braid .
Trim back dielectric as shown .
-
-
-



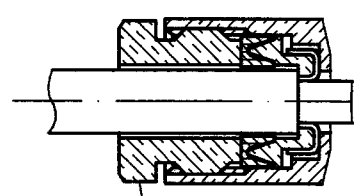
③

Solder the cable inner conductor into centre contact .
-
-
-
-
-



④

Screw sub-assembly into the connector body .
(recommended coupling torque 70.8 in.lb)
-
-



Hex. : 0.622/flats

4112 9211